

Electronic Buzzers Installation 109 / Accessories

Surface housing 3-fold GY



Part No.: 975.109.04

MECHANICAL DATA

Length	266 mm
Width	80 mm
Height	60 mm
Materials	PC/ABS
Housing colour	Grey
Protection category	IP65
Weight with packaging	300 g
Product weight	300 g

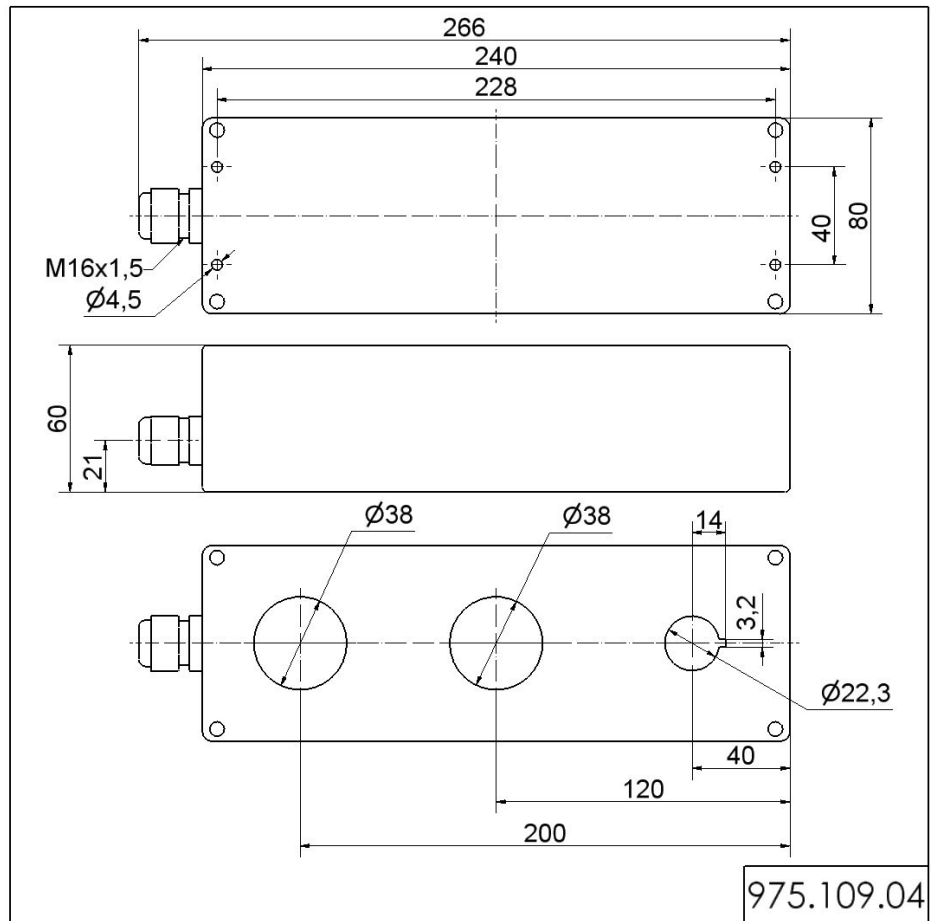
APPROVAL DATA

WEEE	No
Conforms with RED directive	No
Conforms with ATEX-directive	No
Conforms with CCC	No
Conforms with UL	No
Conforms with FCC	No
Conforms with IC	No
EAC certificate available	No
Conforms with AS-I	No
ICAO Certification	No
Conforms with DNV	No
Conforms with RoHS CN	No

! For additional installation and mounting information, refer to the appropriate user guide at www.werma.com. This printed copy is for information only and is subject to alteration.

Electronic Buzzers Installation 109 / Accessories
Surface housing 3-fold GY

DRAWING



! For additional installation and mounting information, refer to the appropriate user guide at www.werma.com. This printed copy is for information only and is subject to alteration.